

# General Specifications

GS 33J60E70-01EN

PW481, PW482, PW484  
 100-120 V AC Input Power Supply Module  
 220-240 V AC Input Power Supply Module  
 24 V DC Input Power Supply Module



[Release 6]

## ■ GENERAL

This General Specifications (GS) describes the hardware specifications of Power Supply Module. This model can be installed in Field Control Unit (FCU), FIO Node Unit or Optical ESB Bus Repeater Unit. Dual-redundant power supply can be configured by installing 2 modules.

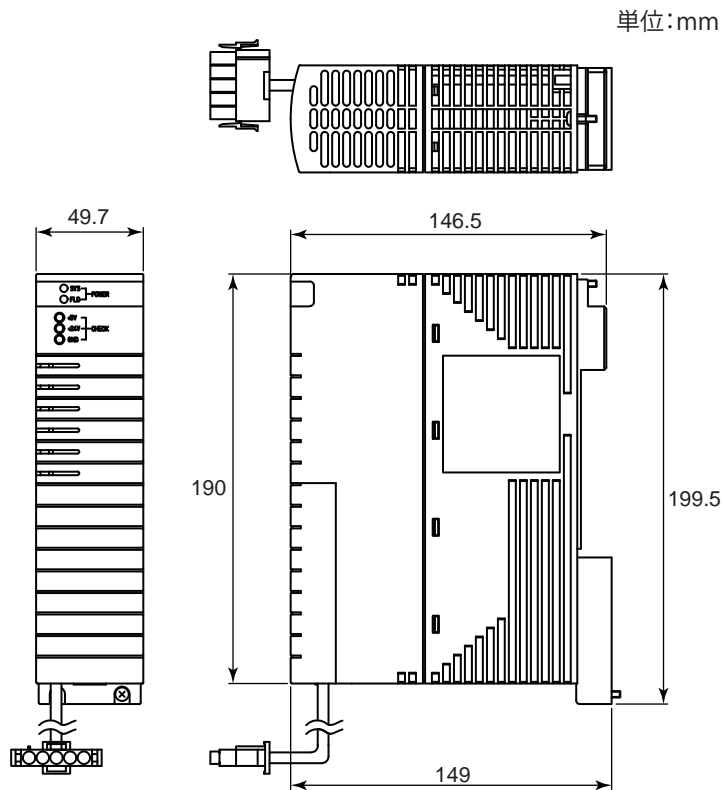
## ■ STANDARD SPECIFICATIONS<sup>S2]</sup>

Item	Specifications		
	PW481	PW482	PW484
Input power supply voltage	100~120 V AC ± 10 % 50/60 Hz ± 3 Hz	220~240 V AC ± 10 % 50/60 Hz ± 3 Hz	24 V DC ± 10 %
Maximum power consumption	200 VA	230 VA	5.5 A
Weight	Approx. 1 kg	Approx. 1 kg	Approx. 1 kg
Input/Output interface	Exclusive connector	Exclusive connector	Exclusive connector

Note: Other specifications are the same as that of FCU, FIO Node Unit and Optical ESB Bus Repeater Unit. Refer to "Installation Guidance" (TI 33J01J10-01JA).

Note: The output voltage and current are not specified, because PW48□ cannot be used as a generic power supply module. PW48□ is an exclusive module for FCU, FIO Node Unit and Optical ESB Bus Repeater Unit.

## ■ EXTERNAL DIMENSIONS



F01.ai

Nominal tolerances :

Nominal tolerance is ± 0.8 mm for the dimensions of 0.5 mm or more and 120 mm or less, and the combined nominal tolerance is ± 1.5 mm.

The nominal tolerance is in accordance with JEM 1459 for the dimensions over 120 mm.

## ■ INSTALLATION

Power Supply Module(PW481, PW482, PW484) can be installed in the following units.

FCU: AFV30D, AFV30S, A2FV50D, A2FV50S, A2FV70D, A2FV70S  
 FIO Node Unit: ANB10D, ANB10S, ANB11D, ANB11S  
 Optical ESB Bus Repeater Unit: ANT10U  
 Base Plate: A2BE1D, A2BE2D

<Installation Restrictions>

- Power Supply Module must be installed in slots P1-P2.
- In the case of single configuration, Power Supply Module must be installed in slot P1.
- Dual-redundant configuration is enabled by installing 2 identical modules with the same model code.

## ■ ORDERING INFORMATION

### ● 100 - 120 V AC Input Power Supply Module

		Description
<b>Model</b>	PW481	100 - 120V AC Input Power Supply Module
<b>Suffix Codes</b>	-5	Standard type with no explosion protection
	-E	Standard type with explosion protection
	0	Basic type
	1	With ISA Standard G3 option with temperature (-20°C to 70°C)

### ● 220 - 240 V AC Input Power Supply Module

		Description
<b>Model</b>	PW482	220 - 240V AC Input Power Supply Module
<b>Suffix Codes</b>	-5	Standard type with no explosion protection
	-E	Standard type with explosion protection
	0	Basic type
	1	With ISA Standard G3 option with temperature (-20°C to 70°C)

### ● 24 V DC Input Power Supply Module

		Description
<b>Model</b>	PW484	24V DC Input Power Supply Module
<b>Suffix Codes</b>	-5	Standard type with no explosion protection
	-E	Standard type with explosion protection
	0	Basic type
	1	With ISA Standard G3 option with temperature (-20°C to 70°C)

## ■ APPLICABLE STANDARDS

Refer to "Integrated Production Control System CENTUM VP System Overview (GS 33J01A10-01EN)."

## ■ ORDERING INFORMATION

Specify model and suffix codes.

For selecting the right products for explosion protection, please refer to TI 33Q01J30-01E without fail.

## ■ TRADEMARK ACKNOWLEDGMENT

The names of corporations, organizations, products and logos herein are either registered trademarks or trademarks of Yokogawa Electric Corporation and their respective holders.